

230-400 Vac CONTROL PANELS



THINK

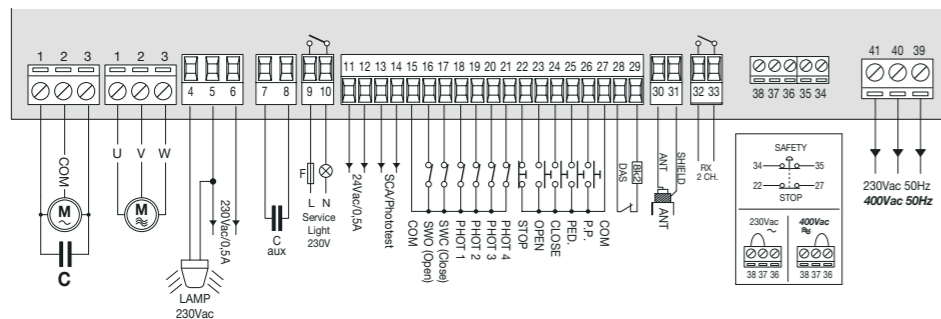
- Control panel for 1 operator 230/400 Vac, ideal for industrial sectional doors and sliding doors indicated for applications with intensive work cycles
- Simple to install thanks to the integrated display
- Anticrushing safety device thanks to the innovative electronic clutch
- Multiple operating logics
- Plug in terminals
- Prepared for plug-in radio receiver
- Inputs for opening and closing limit switches
- Input for 8K2 safety sensitive edge
- Input for pedestrian opening
- Cycle counter

THINK.P

- Control panel for 1 operator 230/400 Vac, ideal for industrial sectional doors and sliding doors indicated for applications with intensive work cycles
- Simple to install thanks to the integrated display
- Anticrushing safety device thanks to the innovative electronic clutch
- Multiple operating logics
- Plug in terminals
- Prepared for plug-in radio receiver
- Inputs for opening and closing limit switches
- Input for 8K2 safety sensitive edge
- Input for pedestrian opening
- Cycle counter
- Open, close, stop buttons integrated

THINK.I

- Control panel for 1 operator 230/400 Vac, ideal for industrial sectional doors and sliding doors indicated for applications with intensive work cycles
- Simple to install thanks to the integrated display
- Anticrushing safety device thanks to the innovative electronic clutch
- Multiple operating logics
- Plug in terminals
- Prepared for plug-in radio receiver
- Inputs for opening and closing limit switches
- Input for 8K2 safety sensitive edge
- Input for pedestrian opening
- Cycle counter
- Open, close, stop buttons with self-hold and three-pole door-blocking switch incorporated in the control unit
- Resistant box for use in industrial environments, degree of protection IP55



230-400 Vac CONTROL PANELS

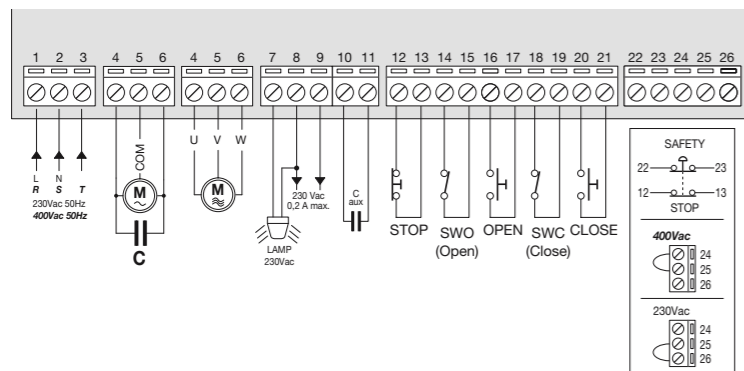


START

- Control panel for 1 operator 230/400 Vac, ideal for industrial sectional doors and sliding doors indicated for applications with intensive work cycles
- "Dead men" function
- Fixed terminal boards
- Inputs for opening and closing limit switches
- Input for emergency stop button
- Open and close buttons integrated in the control unit
- Output for flashing light connection
- Possibility of connecting an auxiliary capacitor for greater starting torque of the motor

START.I

- Control panel for 1 operator 230/400 Vac, ideal for industrial sectional doors and sliding doors indicated for applications with intensive work cycles
- "Dead men" function
- Fixed terminal boards
- Inputs for opening and closing limit switches
- Input for emergency stop button
- Open and close buttons integrated in the control unit
- Output for flashing light connection
- Possibility of connecting an auxiliary capacitor for greater starting torque of the motor
- **Open, close, stop buttons with self-hold and three-pole door-blocking switch incorporated in the control unit**
- **Resistant box for use in industrial environments, degree of protection IP55**



EXTERNAL CONTROL PANELS FEATURES

	THINK	THINK.P	THINK.I	START	START.I
Motors power supply 24Vdc					
Motors power supply 230Vac	•	•	•	•	•
Motors power supply 400Vac	•	•	•	•	•
INPUTS					
Step by step input	•	•	•		
Open input	•	•	•	•	•
Close input	•	•	•	•	•
Pedestrian opening input	•	•	•		
Photocell input					
Photocell input in opening phase	•	•	•		
Photocell input in closing phase	•	•	•		
Stop input	•	•	•	•	•
Conductive safety input	•	•	•		
Limit switch input open/close for Motor 1	•	•	•	•	•
Limit switch input open/close for Motor 2					
OUTPUTS					
Motor 1 output	•	•	•	•	•
Motor 2 output					
Flashing Light output	•	•	•	•	•
12 Vac electric lock output					
Auxiliary output for optional electric-lock card					
Courtesy light output	•	•	•		
Auxiliary output 24 Vac/dc	•	•	•		
Gate open indicator	•	•	•		
photocell power supply output with phototes	•	•	•		
2nd radio channel output	•	•	•		
OPERATING LOGICS					
"Dead man" function	•	•	•	•	•
Semi-automatic function	•	•	•		
Automatic function	•	•	•		
Multi-flat function	•	•	•		
Step by Step function (open-close-open)	•	•	•		
Timer function in opening	•	•	•		
adjustable slowdown time					
fixed slow down time					
Electronic brake					
Pre-warning flashing light	•	•	•		
Disable photocell in opening phase	•	•	•		
Close immediately after photocell	•	•	•		
Maintaining hydraulic motor pressure					
Opening delay motor 2					
Closing delay motor 1					
ADJUSTMENTS					
Electromechanical adjustment force					
Electronic adjustment force	•	•	•		
Speed adjustment					
Starting with maximum power	•	•	•	•	•
self adjustment of working parameters					
Parameters adjustment through potentiometer					
Parameters adjustment through LCD display	•	•	•		
OTHER CHARACTERISTICS					
Diagnostic LEDs					
433,92 MHz built-in receiver					
Parameters adjustment through LCD display	•	•	•		
Cycles counter	•	•	•		
Back up system (it needs battery charger card)					
Encoder input					
built-in ESA, Energy Saving System					
Maintenance warning					
programming enabled by password					